

# MusicParts.Com

## Technical Document Distribution

---

<b>Brand:</b>	<b>Guild</b>
<b>Model</b>	<b>Thunderstar Lead</b>
<b>Product:</b>	<b>Guitar Amplifier</b>
<b>Description:</b>	<b>Schematic</b>

Musicparts Document Number: 44135	TechTips: No	Pages: 2	Dated: 1969
-----------------------------------	--------------	----------	-------------

Hello,

Welcome to MusicParts.Com, Inc. your online resource for technical documents and service information. This PDF package may contain information, schematics, parts lists, images, engineering changes, previous versions, circuit descriptions, and many other unique features about the product you have chosen. This document was assembled from a variety of sources and is the result of our many years in the music repair business.

TECHTIPS: Unique to Musicparts documents are **TECHTIPS** located in critical areas on the schematics. They contain useful information about that area of the schematic such as common problems that we have found and recommended changes. Not all documents will have TechTips.

NOTE: Large original over-sized drawings will need to be taped together. We feel this is better than reducing them and losing fine details.

VIEWING: This document is utilizing PAGE-ON-DEMAND downloading. This will let you navigate to any page without waiting for the entire file to download.

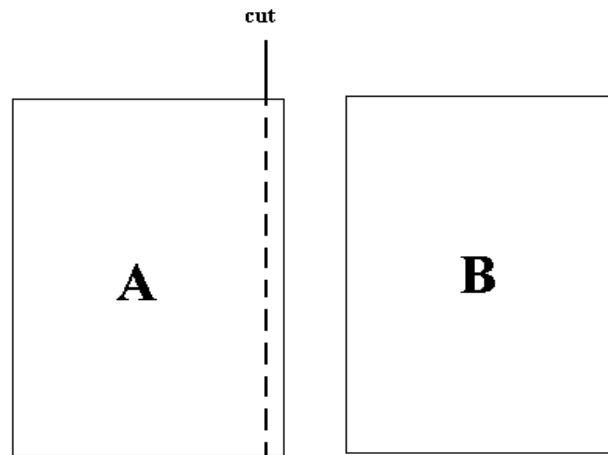
PRINTING: For the best quality, we highly recommend that when the print dialog appears, please **make sure "SHRINK OVERSIZED PAGES " is checked.**, otherwise you may cut off the edge of the page. Also please stay online while printing this document to make sure you get all the pages.

Visit us on the web at: <http://www.musicparts.com/>  
Email us at: [customerservice@musicparts.com](mailto:customerservice@musicparts.com)

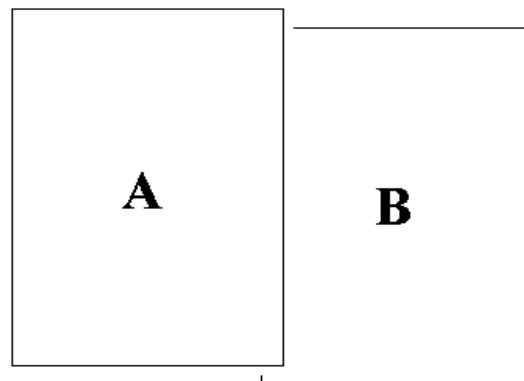
# MusicParts.Com

## Two Sheet Pasteup Guide

11x17" paper size

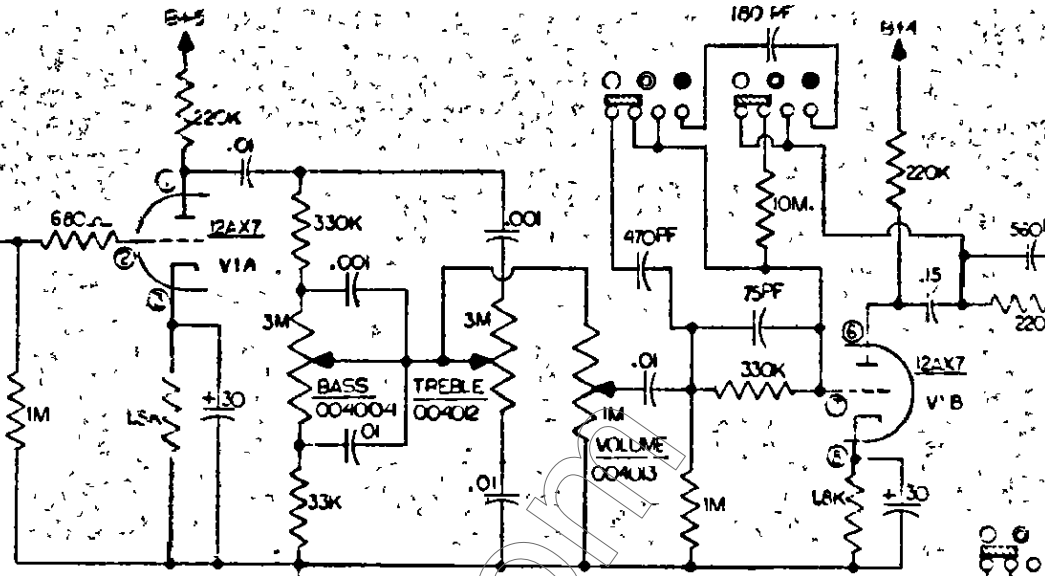


**It's ok to slightly cut into the black print, as documents contain an intentional extended overlapping printed area.**



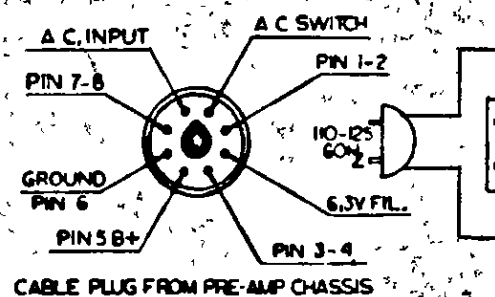
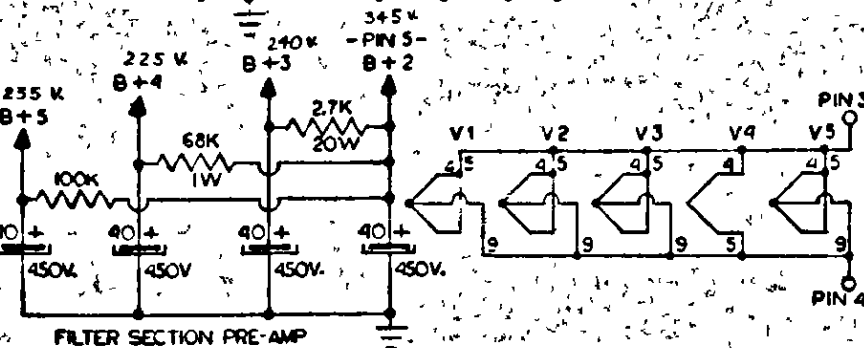
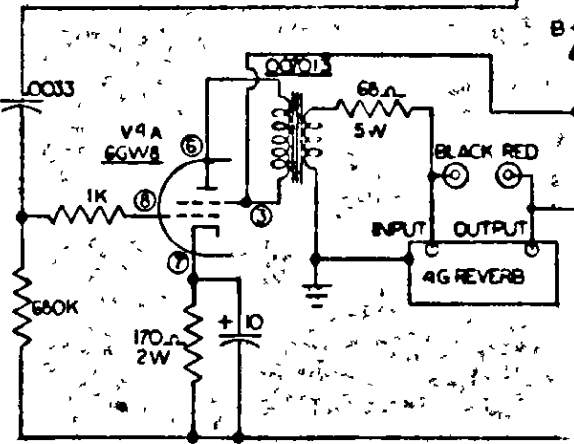
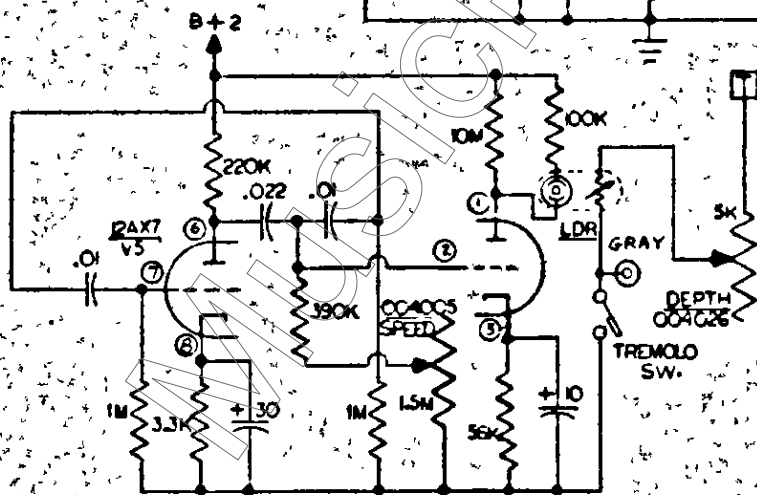
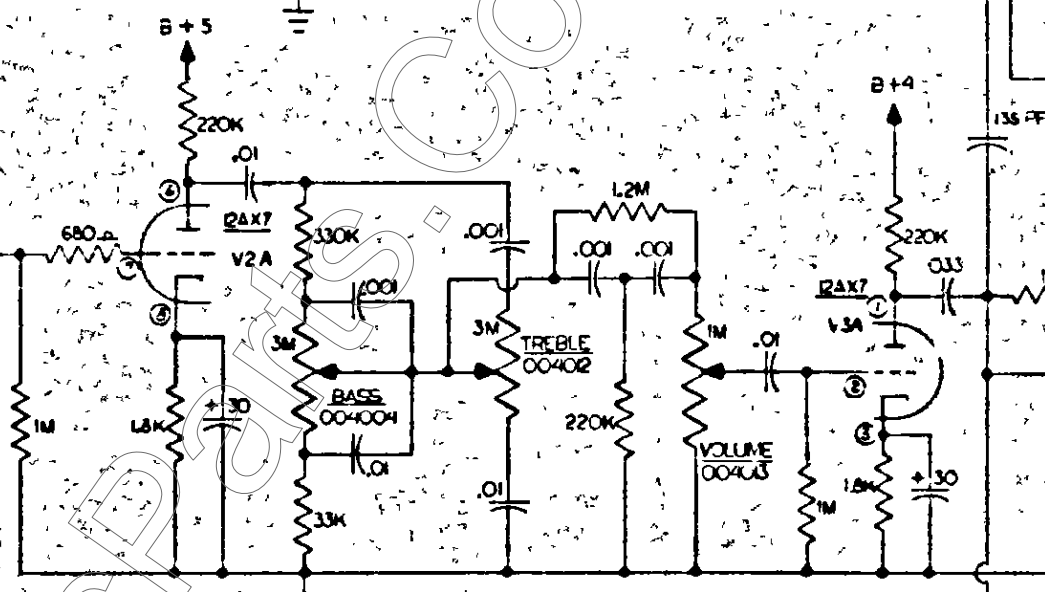
**Only one trim cut is needed, then overlay as shown and tape.**

NORMAL

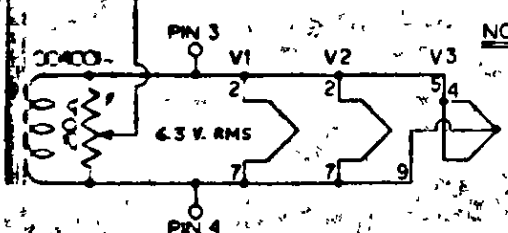
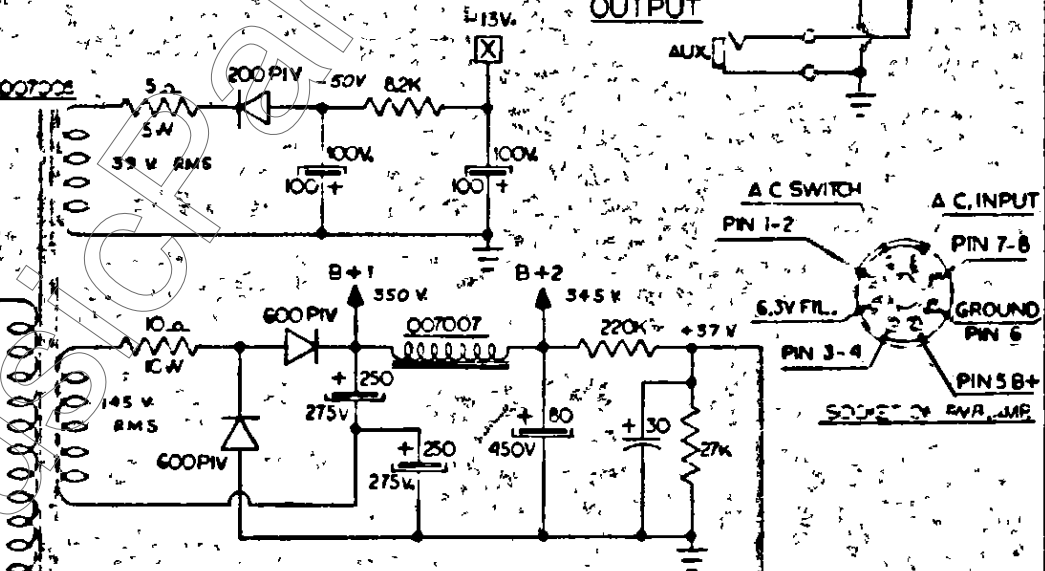
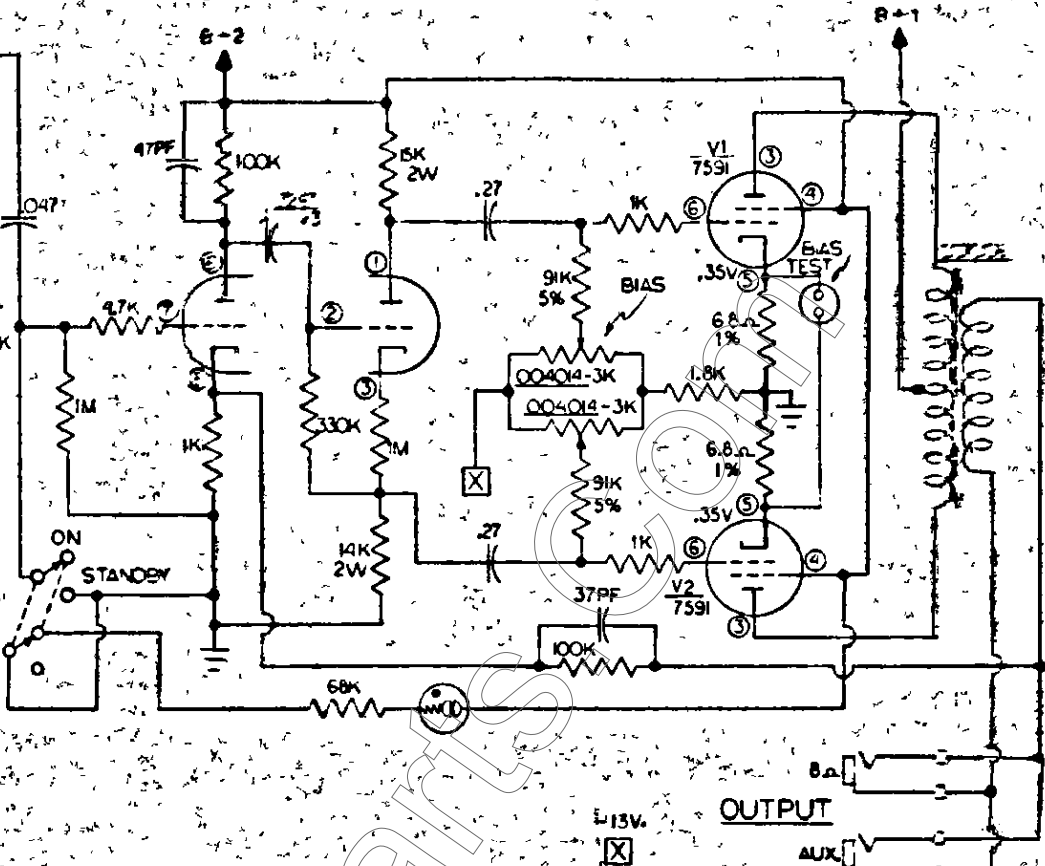
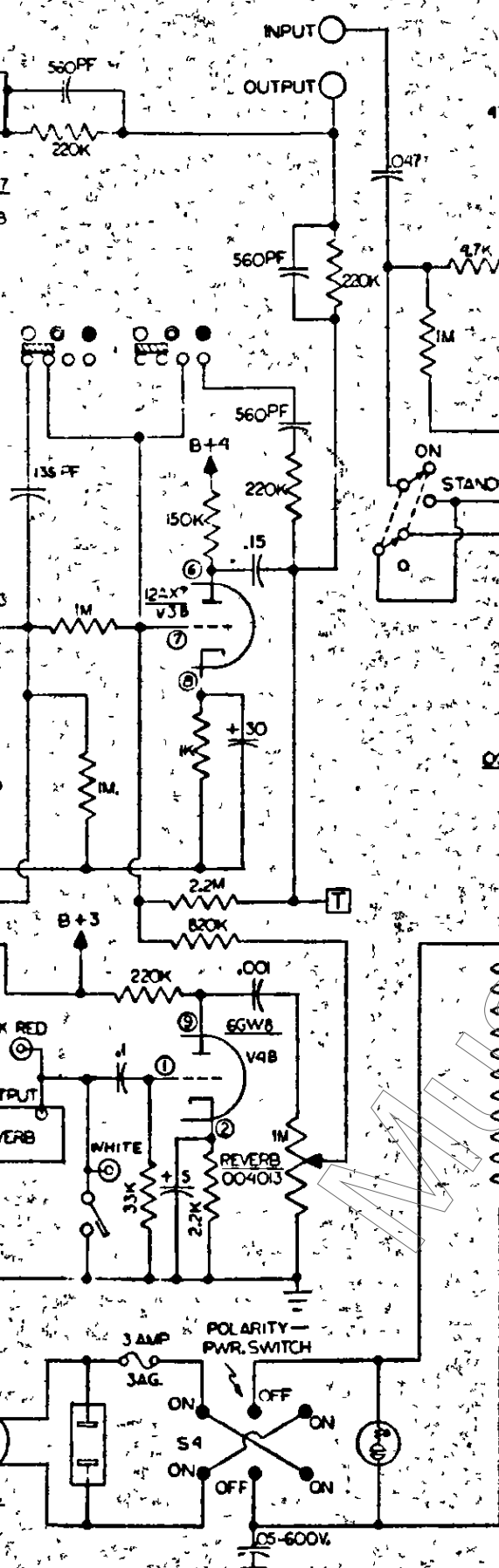


**NOTE** ALL CAPACITORS IN MICROFARAD  
UNLESS OTHERWISE SPECIFIED.  
ALL RESISTORS 1/2W 10%  
UNLESS OTHERWISE SPECIFIED.

TREMOLO  
REVERB



CABLE PLUG FROM PRE-AMP CHASSIS



NOTE ALL DC VOLTAGE MEASUREMENTS ARE WITH RESPECT TO GROUND AND ARE TAKEN AT 117V. LINE VOLTAGE WITH 8-Ω LOAD CONNECTED TO OUTPUT AND NO SIGNAL APPLIED TO INPUT. ADJUST EACH OUTPUT TUBE BIAS CONTROL TO PROVIDE 35W/40V-TUBE ASSOCIATED TUBE.

TOLEANCES UNLESS OTHERWISE SHOWN	<b>GUILD</b>	
MODEL	6W62AS	DATE
REVISION	- THUNDERSTAR -	
DATE	1/10/69	